

DICE™

DICE™ PANEL



FEATURES

Calibration column

DICE™ module; DS or DM configuration

Further capacity to integrate

- Pulsation dampener
- Dilution/transport water
- Additional pumps

DICE™ panel

Dosing pump

- Flat pack design
- Significantly reduced shipping and handling cost
- Simplified assembly
- Small footprint
- Panel assembled within minutes using only a screwdriver
- Optional enclosure
- Optional spill containment
- Allow for multiple pumps and accessories configuration

Chemical dosing panel simplified!

The DICE™ panel is Meunier Technologies effort to simplify and make chemical dosing panels accessible to all. Our unique design allows anyone to build and assemble its own chemical dosing panels within minutes, using only a screwdriver.

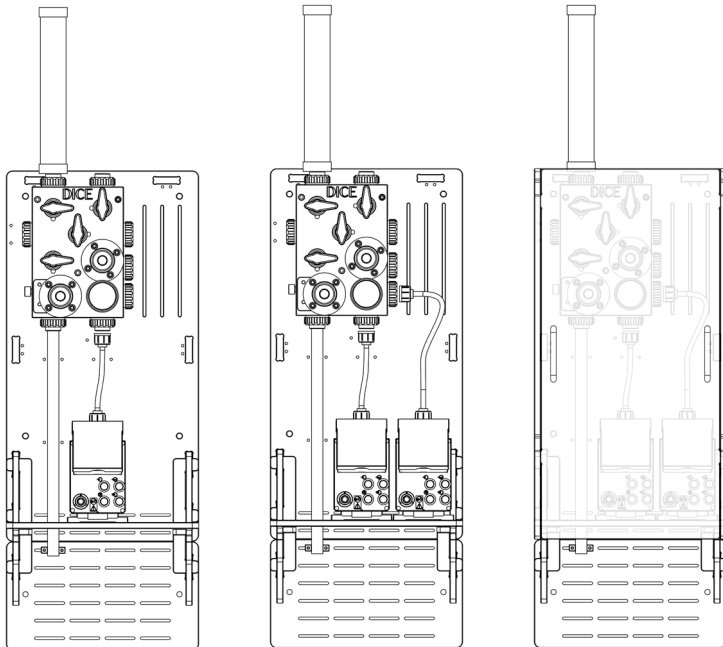
Its ability to be flat pack drastically reduces the shipping and handling cost.

TYPICAL INTEGRATION

Simplex

Duplex

Enclosed



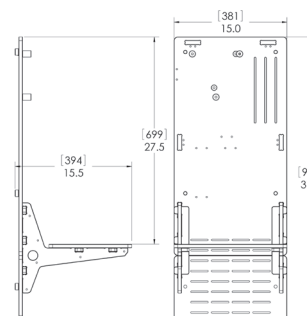
Flat pack in one small box



Only assembly tool required



TECHNICAL INFORMATION



Material* White HDPE

*Other material can be supplied on request.